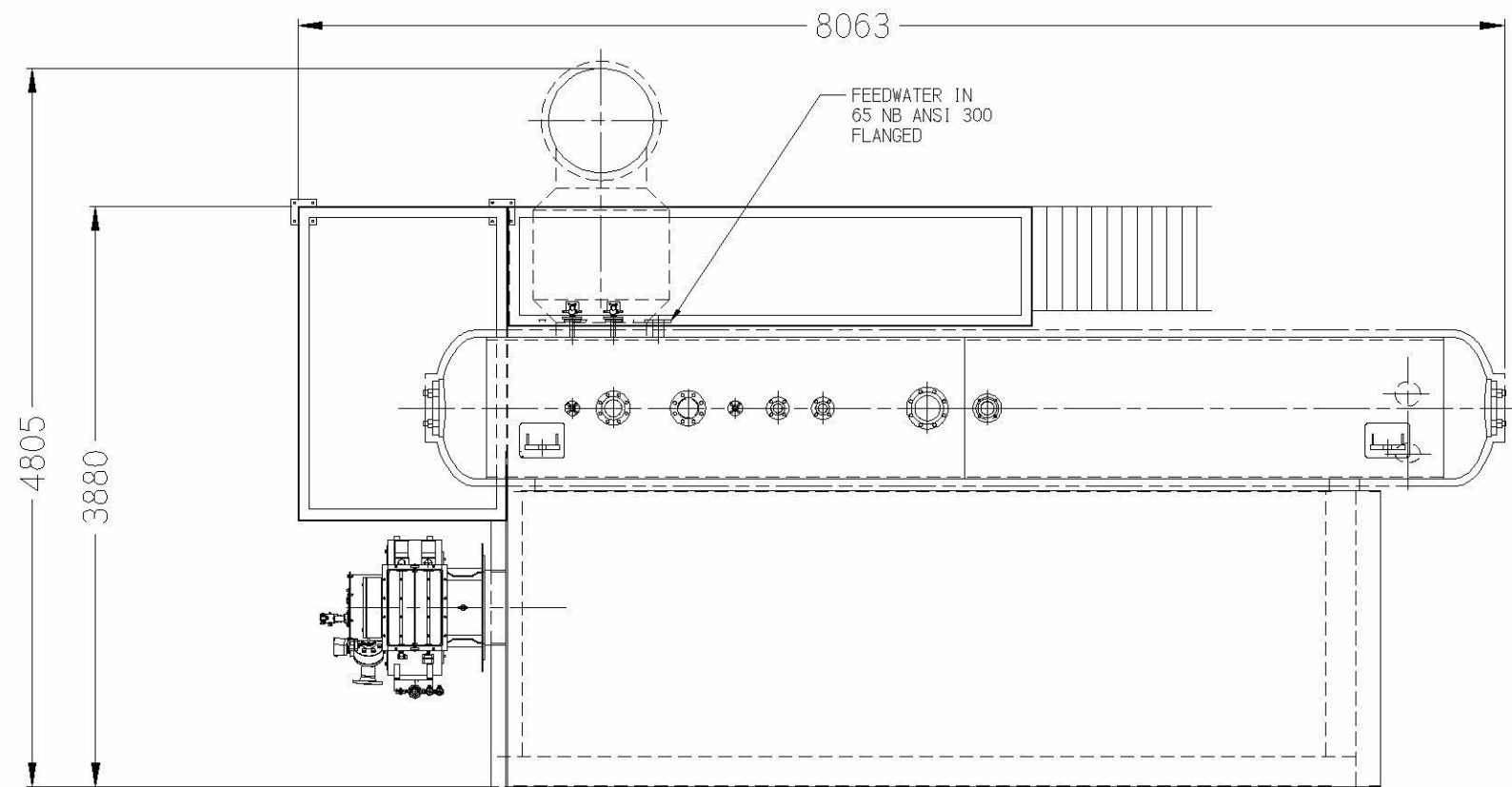
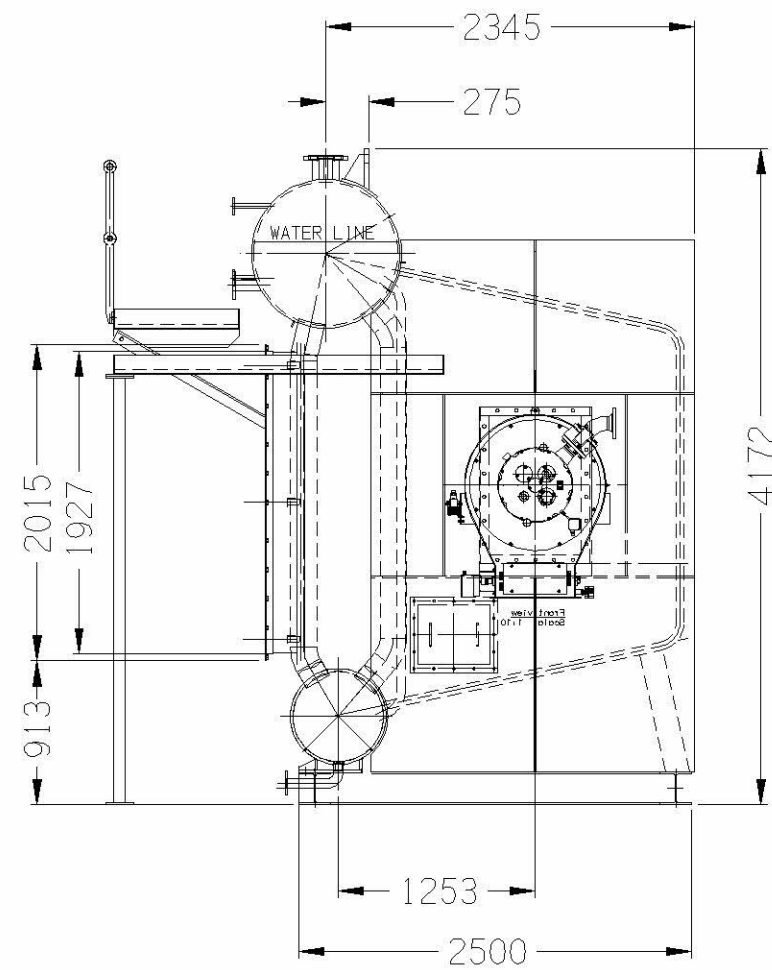


Design Data:
 Design Code Reference: AS1228-2006
 Vessel class: One
 Rated Output: 8 MW (8000 kW)
 Design Pressure: 1200 kPa (12 bar)
 Hydrostatic test pressure: 1800 kPa
 Transport Mass: 19.8 Tonne
 Flooded Mass: 28.4 Tonne
 Top drum OD: 946
 Bottom drum OD: 610
 Downcomer OD: 168
 Insulation: 50mm Rockwool

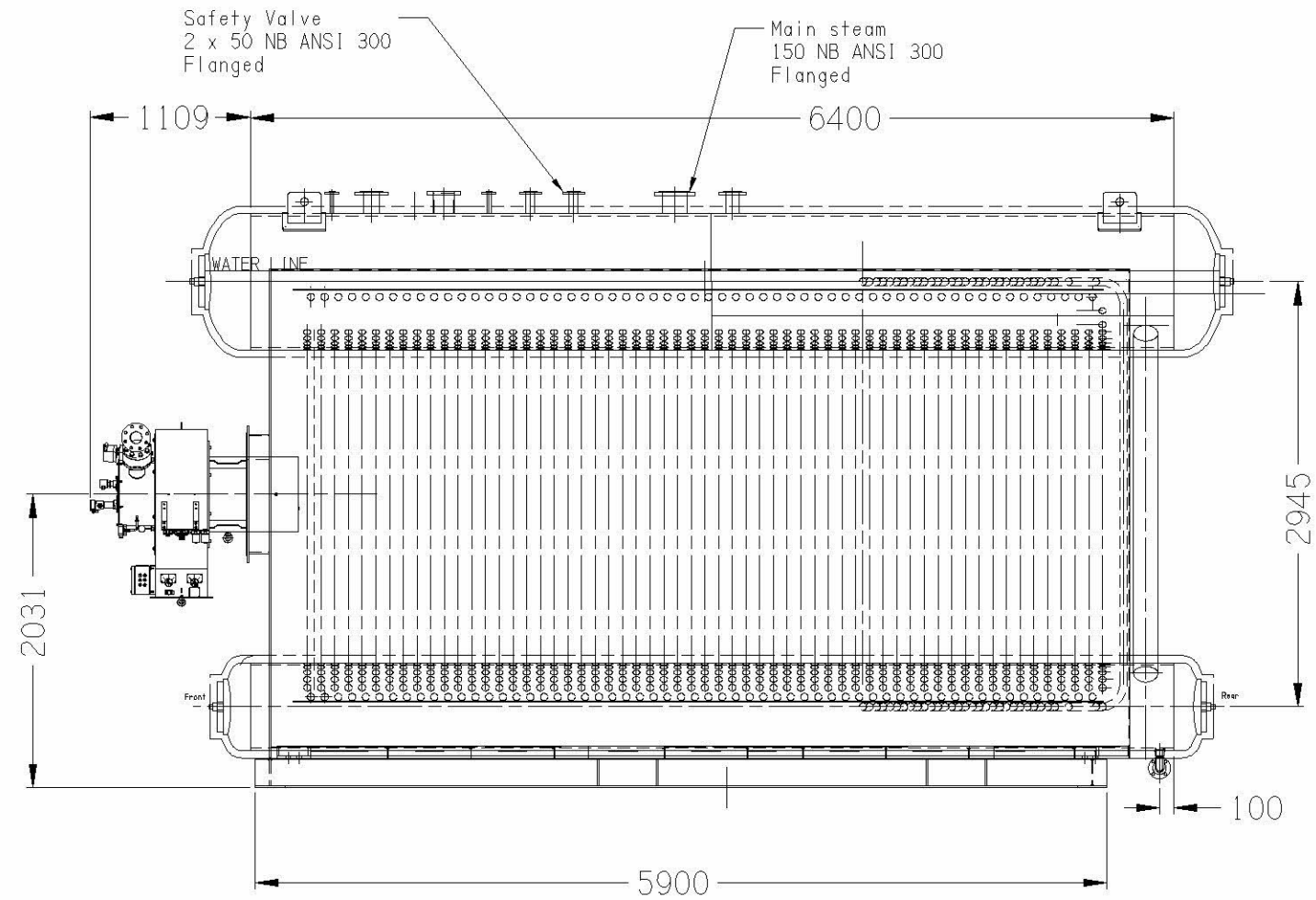
Note: Stresses associated with external or environmental effects have not been considered in this design. Any project specification loadings will require evaluation to ensure that they do not apply new loads not allowed for in this design.



Top view



Front view



Side view

In the interest of continuous improvement, this drawing may change without notice.

				 THIRD ANGLE PROJECTION	HUNT BOILERS A division of Forbes (Aust) Pty Ltd	THIS DRAWING WAS PREPARED BY HUNT BOILERS. THE INFORMATION IT CONTAINS IS CONFIDENTIAL AND MUST NOT BE USED, DISCLOSED OR REPRODUCED WITHOUT WRITTEN AUTHORITY.	ALL DIMENSIONS IN MILLIMETRES	DRN BMD/STS	TITLE/PART
C	New dims-New Lug	13NOV11	DA				DO NOT SCALE THIS DRAWING	CKD DA	HUNT WT 8.0 MW GENERAL ASSEMBLY
A	Original issue	7APR11	JT				SHEET SIZE A1	DATE 7 APR 2011	PART # WT-8-GA
NO	REVISION	DATE	CKD						Rev B