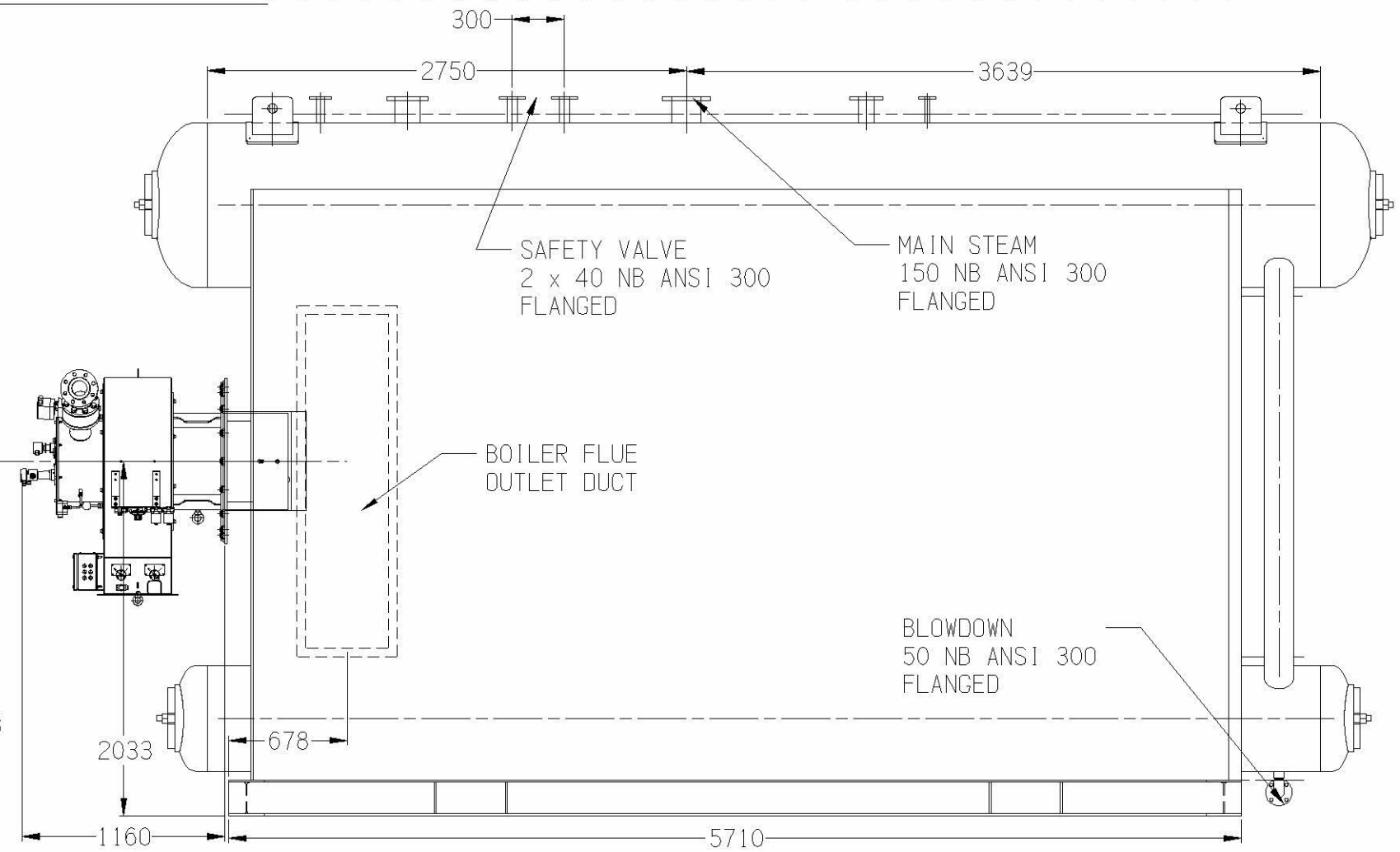
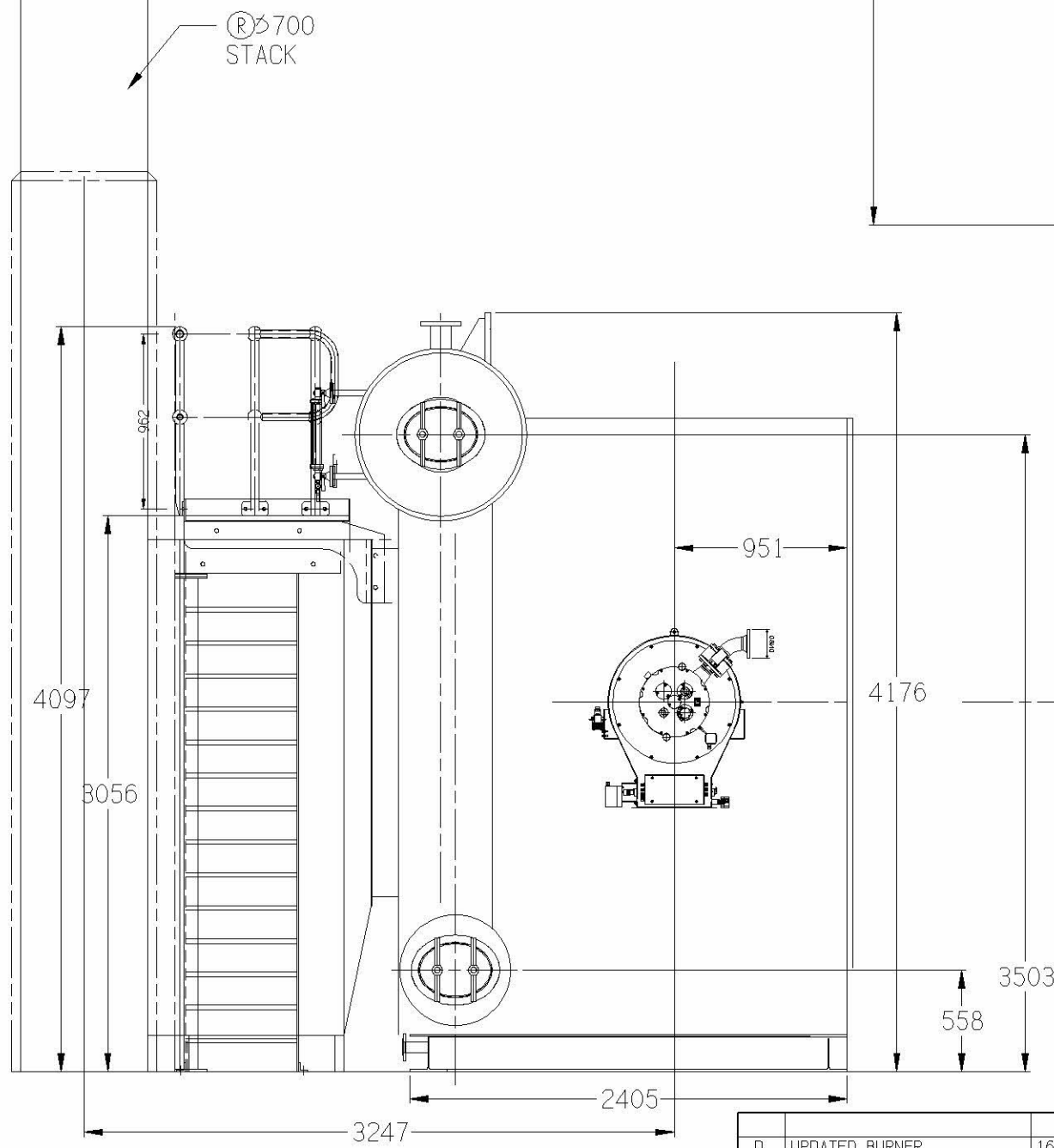
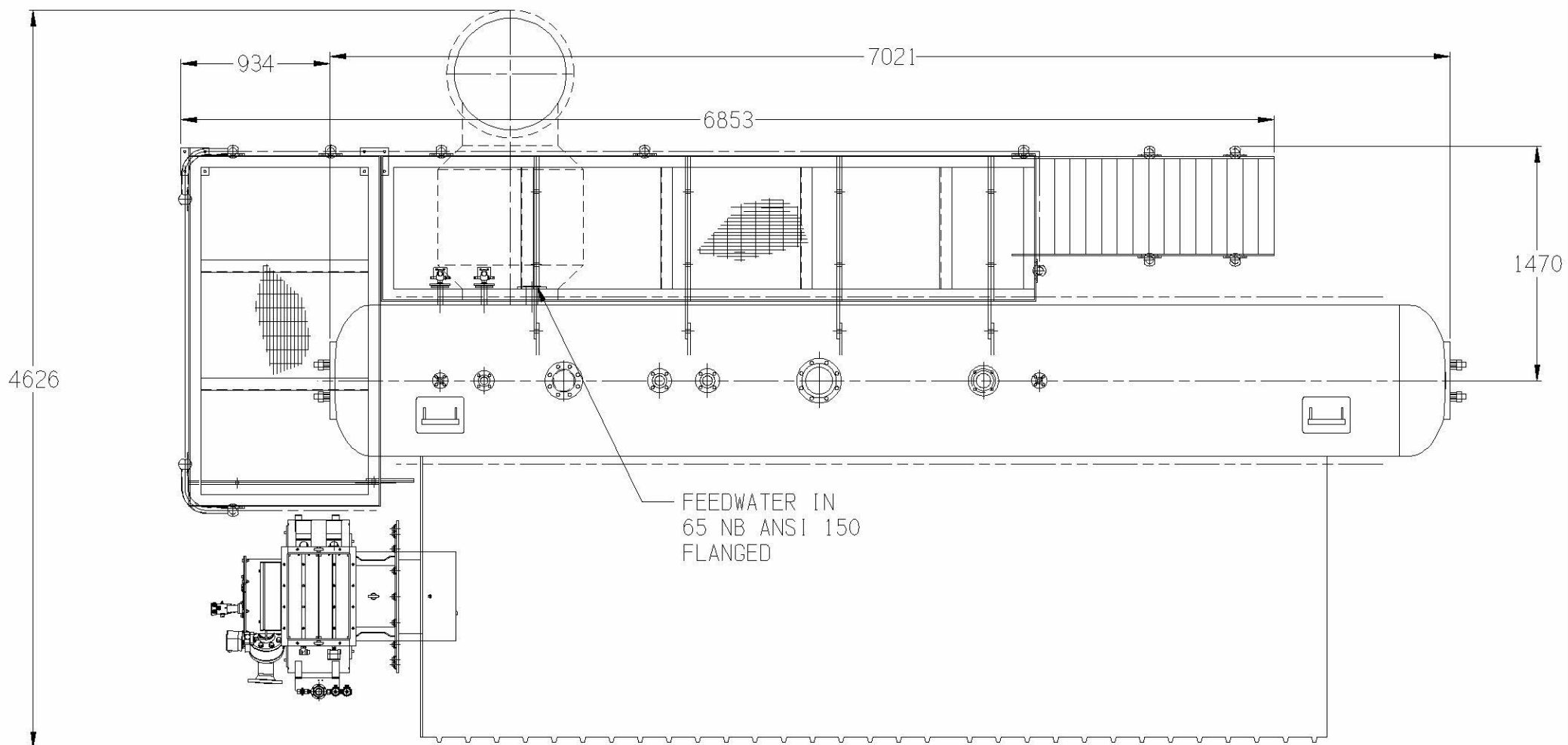


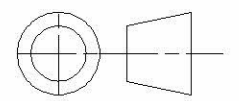
Design Data:  
 Design Code Reference: AS1228-2006  
 Vessel class: One  
 Rated Output: 6 MW (6000 kW)  
 Design Pressure: 1200 kPa (12 bar)  
 Hydrostatic test pressure: 1800 kPa  
 Transport Mass: 18.7 Tonne  
 Flooded Mass: 26.9 Tonne  
 Top drum OD: 946  
 Bottom drum OD: 610  
 Downcomer OD: 168  
 Insulation: 50mm Rockwool

Note: Stresses associated with external or environmental effects have not been considered in this design. Any project specification loadings will require evaluation to ensure that they do not apply new loads not allowed for in this design.



In the interest of continuous improvement, this drawing may change without notice.

D	UPDATED BURNER	16/05/12	T.P.
C	DIMS MODIFIED-NEW LUG	07/11/11	DA
B	DIMENSIONS ADDED	16/06/11	DA
A	ORIGINAL ISSUE	17/11/10	JT
NO	REVISION	DATE	CKD



THIRD ANGLE PROJECTION

**HUNT BOILERS**  
 A division of Forbes (Aust) Pty Ltd

THIS DRAWING WAS PREPARED BY HUNT BOILERS. THE INFORMATION IT CONTAINS IS CONFIDENTIAL AND MUST NOT BE USED, DISCLOSED OR REPRODUCED WITHOUT WRITTEN AUTHORITY.

ALL DIMENSIONS IN MILLIMETRES	DRAFT T.P.
DO NOT SCALE THIS DRAWING	DATE 17/11/10
COMPUTER AIDED DRAFT	PASSED D.A.

TITLE/PART	Hunt WT-6MW Water tube steam boiler General Arrangement
PART #	WT-6-GA