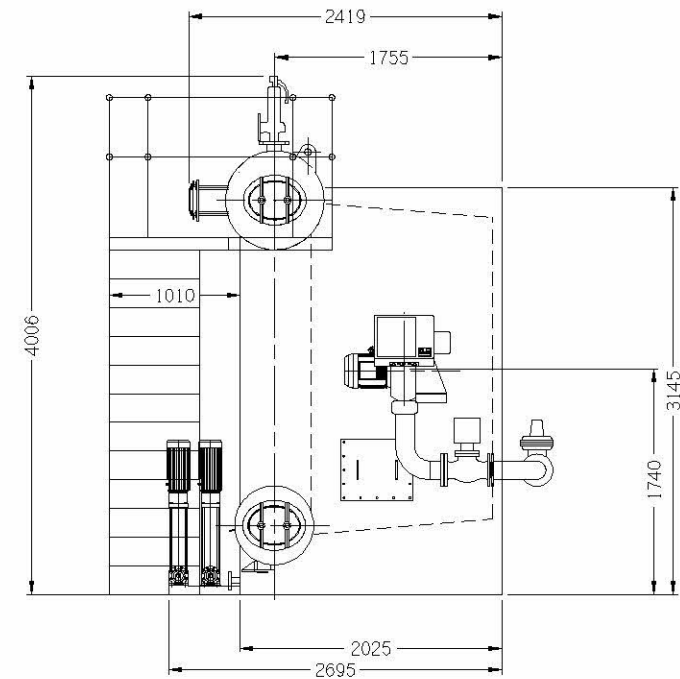
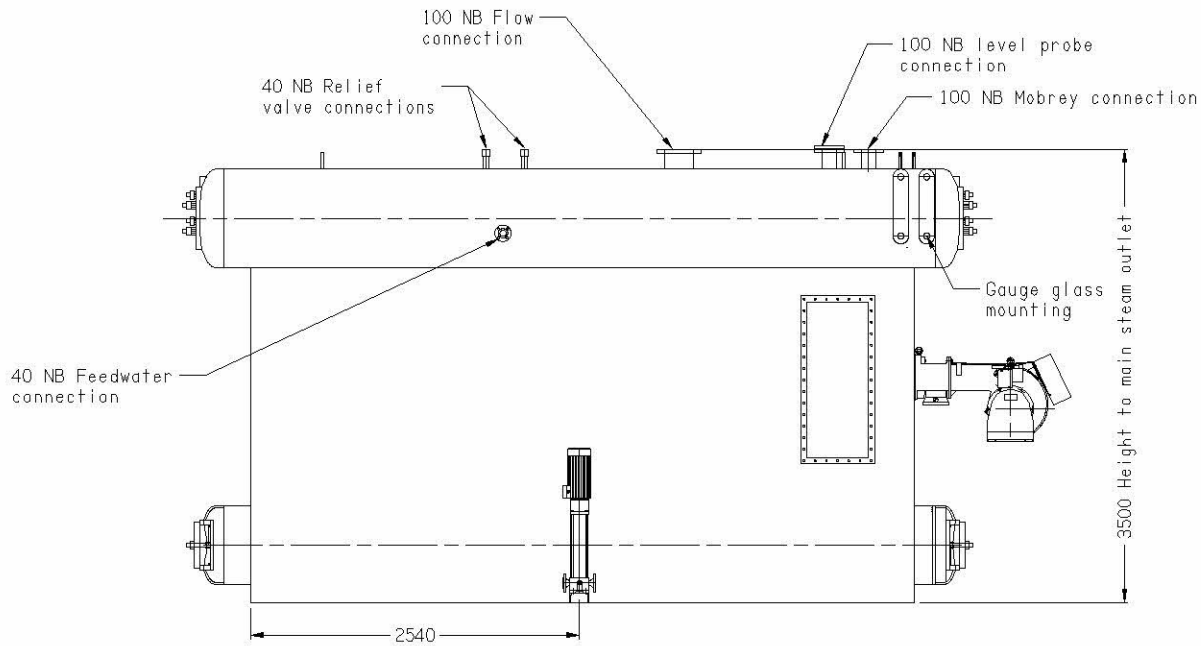


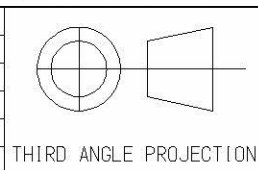
Design Data:
 Design Code Reference: AS1228-2006
 Vessel class: One
 Rated Output: 2 MW (2000 kW)
 Design Pressure: 1200 kPa (12 bar)
 Hydrostatic test pressure: 1800 kPa
 Transport Mass: 9.8 Tonne
 Flooded Mass: 14.6 Tonne
 Top drum OD: 762
 Bottom drum OD: 610
 Insulation: 50mm Rockwool

Note: Stresses associated with external or environmental effects have not been considered in this design. Any project specification loadings will require evaluation to ensure that they do not apply new loads not allowed for in this design.



In the interest of continuous improvement, this drawing may change without notice.

| | | | |
|----|---------------------|----------|-----|
| NO | REVISION | DATE | CKD |
| A | RIELLO BURNER ADDED | 10/04/12 | DA |
| A | ORIGINAL ISSUE | 02/05/06 | DA |



HUNT BOILERS
 A division of Forbes (Aust) Pty Ltd

THIS DRAWING WAS PREPARED BY HUNT BOILERS. THE INFORMATION IT CONTAINS IS CONFIDENTIAL AND MUST NOT BE USED, DISCLOSED OR REPRODUCED WITHOUT WRITTEN AUTHORITY.

| | | |
|-------------------------------|---------------|------------------------------------|
| ALL DIMENSIONS IN MILLIMETRES | DRAFT P.C.H. | TITLE/PART |
| DO NOT SCALE THIS DRAWING | DATE 02/05/06 | General arrangement Hunt WH 2MW |
| COMPUTER AIDED DRAFT | PASSED DA | PART # WH-2MW-GA |