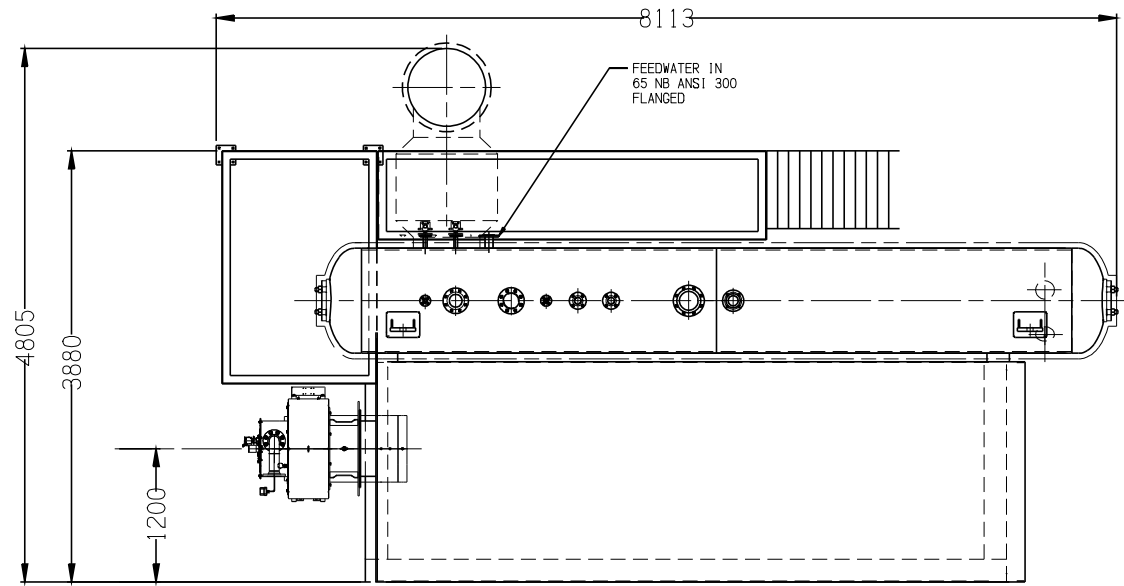
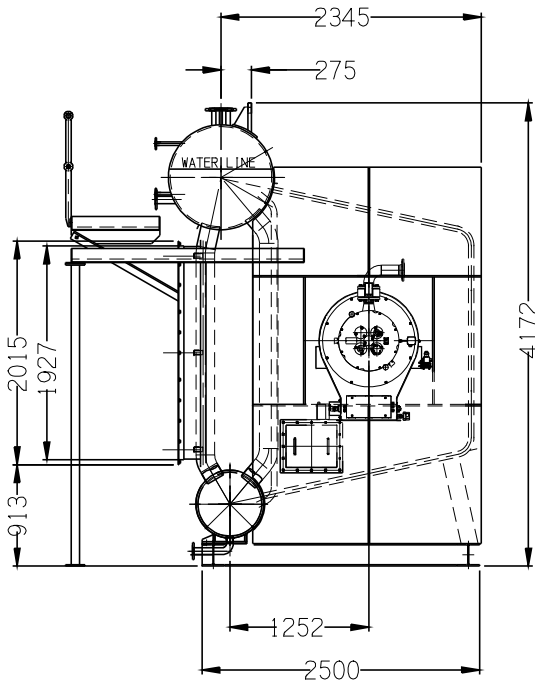


Design Data:  
 Design Code Reference: AS1228-2006  
 Vessel Class: One  
 Rated Output: 10 MW (10000 kW)  
 Design Pressure: 1200 kPa (12 bar)  
 Hydrostatic Test Pressure: 1800 kPa  
 Transport Mass: 21.6 Tonne  
 Flooded Mass: 30.7 Tonne  
 Top drum OD: 946  
 Bottom drum OD: 610  
 Downcomer OD: 168  
 Insulation: 50mm Rockwool

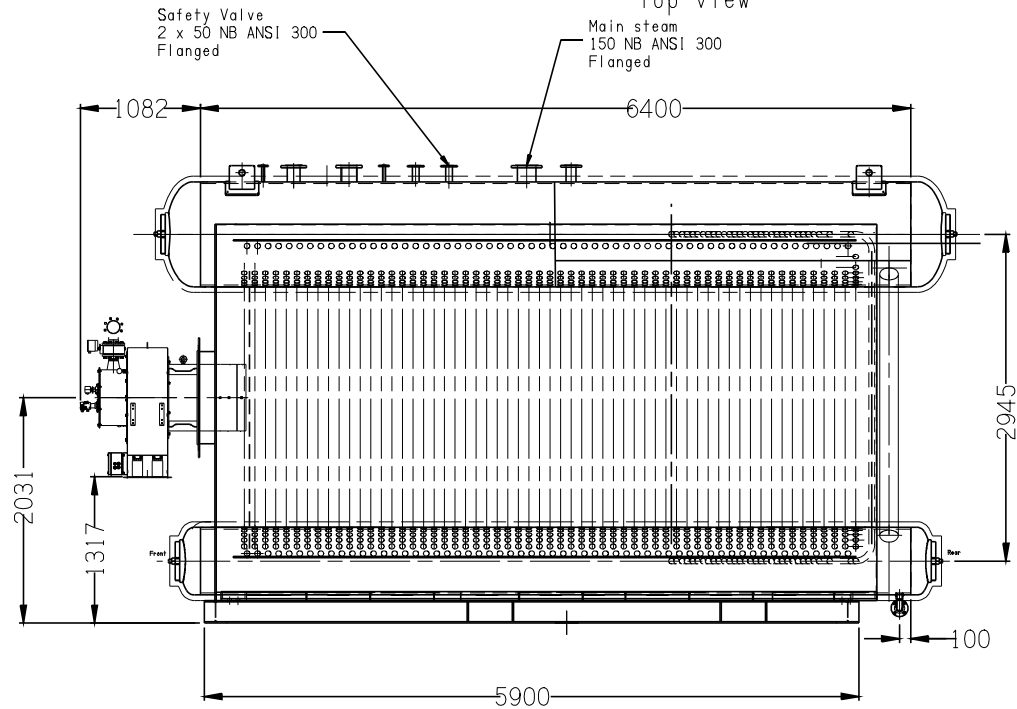
Note: Stresses associated with external or enviromental effects have not been considered in this design. Any project specification loadings will require evaluation to ensure that they do not apply new loads not allowed for in this design.



Top view



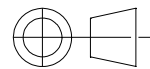
Front view



Side view

In the interest of contiuous improvement, this drawing may change without notice.

NO	REV/STON	DATE	CRD
D	Burner Details Updated	16MAY12	T.P.
C	New dims-New Lug	13NOV11	DA
B	Set positions	16MAY11	JT
A	Original issue	7APR11	JT



THIRD ANGLE PROJECTION

**HUNT BOILERS**

A division of Forbes (Aust) Pty Ltd

THIS DRAWING WAS PREPARED BY HUNT BOILERS. THE INFORMATION IT CONTAINS IS CONFIDENTIAL AND MUST NOT BE USED, DISCLOSED OR REPRODUCED WITHOUT WRITTEN AUTHORITY.

ALL DIMENSIONS IN MILLIMETRES	DRN	TITLE/PART
DO NOT SCALE THIS DRAWING	T.P.	HUNT WT 10 MW
SHEET SIZE	DA	GENERAL ARRANGEMENT
A1	DATE	DWG #
	7 APR 2011	WT-10-GA

Rev D